

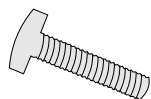
# BoxBot

## Photoreflector Sensor Bar

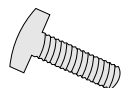
Version 1.0

**WARNING: CHOKING HAZARD – Small Parts. Keep out of reach of small children.**

### Fixings



Long Bolt x6



Short Bolt x2

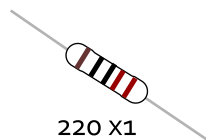


Washer x8

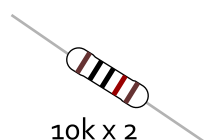


Nut x 8

### Electronic parts



220 X1

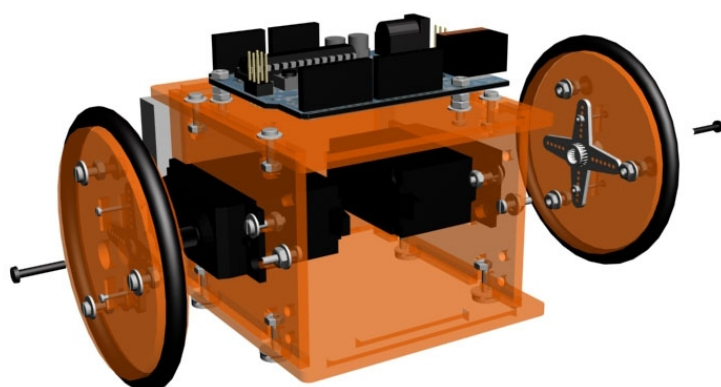


10k x 2



Sensors

Please verify that you have all parts listed below in your kit. Any missing parts should be reported to [bot@botbuilder.co.uk](mailto:bot@botbuilder.co.uk)

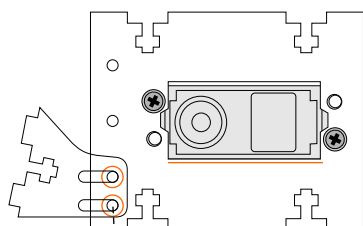


### Step 1

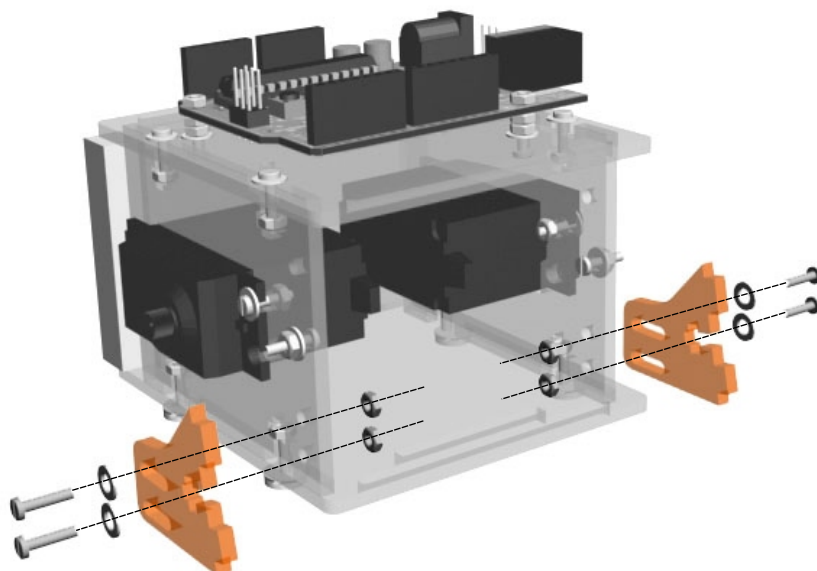
Remove the wheels from the BoxBot, by removing the retaining screws.

### Step 2

Attach the left and right brackets using the 4 long (12mm) bolts, washers and nuts.

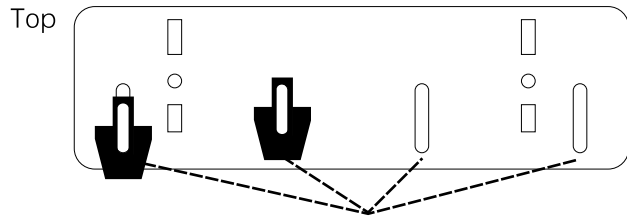
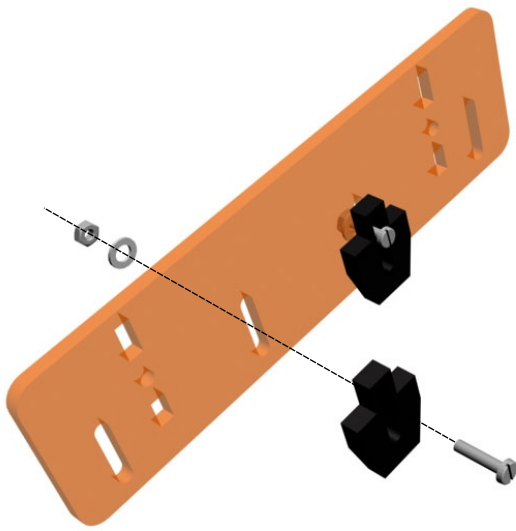


Align the bracket like this



## Step 3

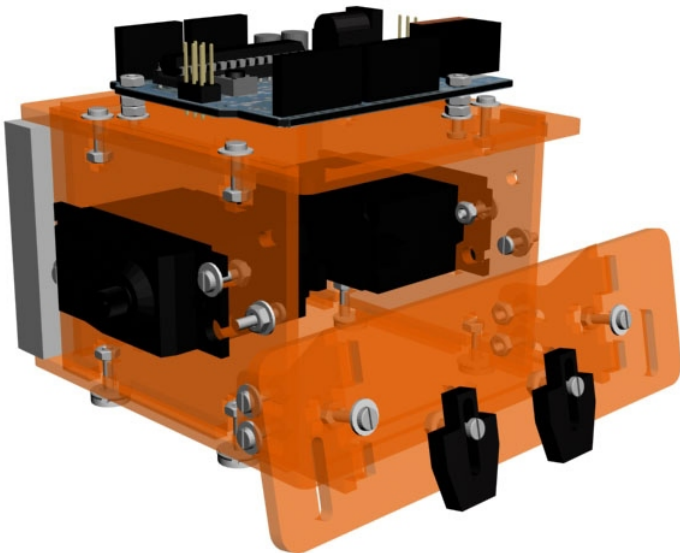
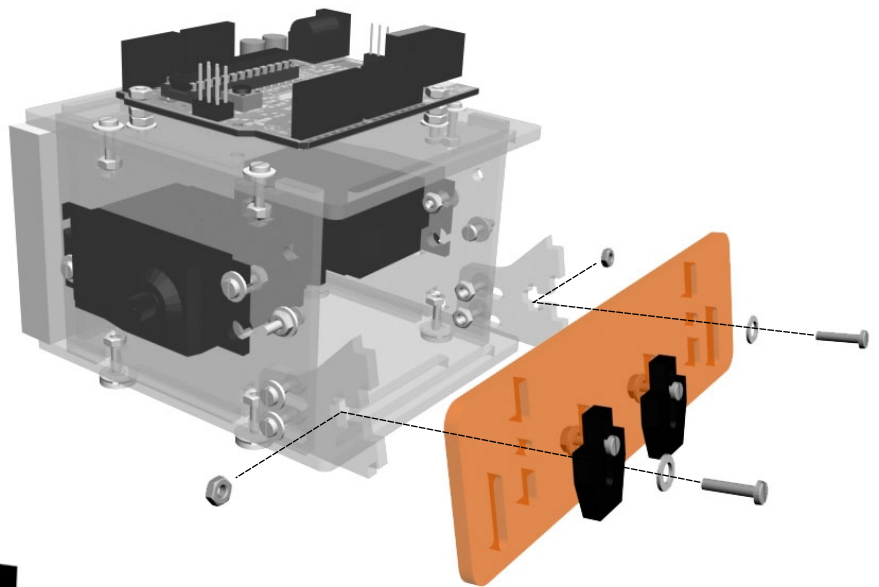
Attach the Photoreflectors to the sensor bar using the 2 long bolts (12mm), washers and nuts. Don't over tighten any nuts, finger tight will do.



Sensors can go on any of these mounts. The sensors can be moved up and down for adjustment.

## Step 4

Attach the sensor bar to the chassis mountings using 2 short bolts (10mm), washers and nuts.



## Step 5

The sensor bar is now complete, re attach the bot's wheels.

Now check out the code & projects section at [www.botbuilder.co.uk](http://www.botbuilder.co.uk)

If you print this manual



Please recycle it when finished.

Bot  Builder.co.uk

