

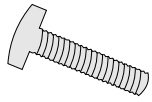
BoxBot

Ultrasonic Sensor Bar

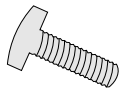
Version 1.0

WARNING: CHOKING HAZARD – Small Parts. Keep out of reach of small children.

Fixings



Long Bolt x4



Short Bolt x2



Washer x8



Nut x 8



Small Bolt x4

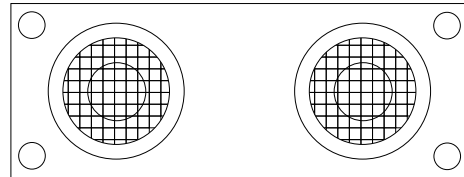


Small Washer x8



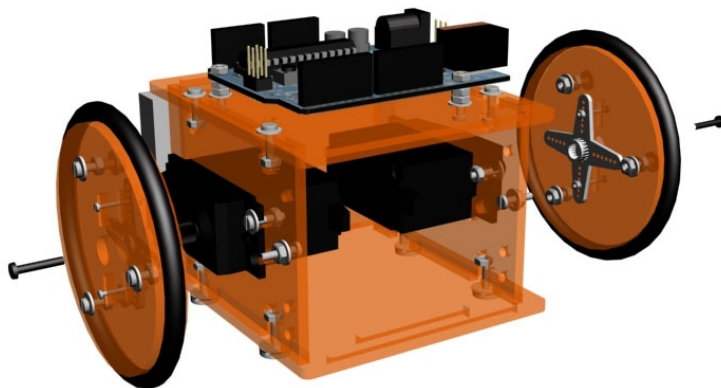
Small Nut x8

Electronic parts



Sensor x1

Please verify that you have all parts listed below in your kit. Any missing parts should be reported to bot@botbuilder.co.uk

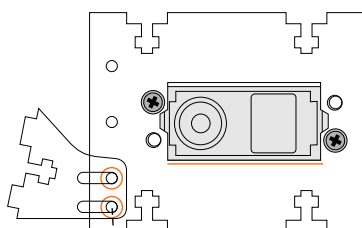


Step 1

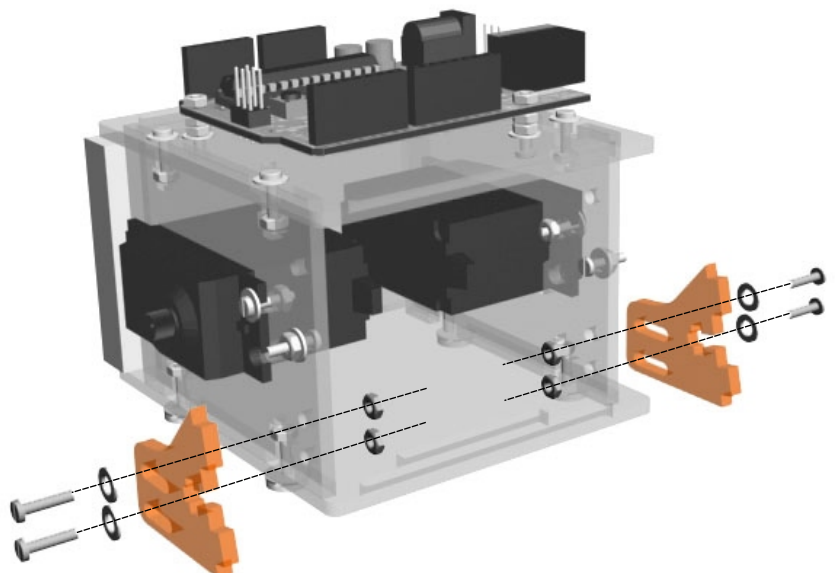
Remove the wheels from the BoxBot, by removing the retaining screws.

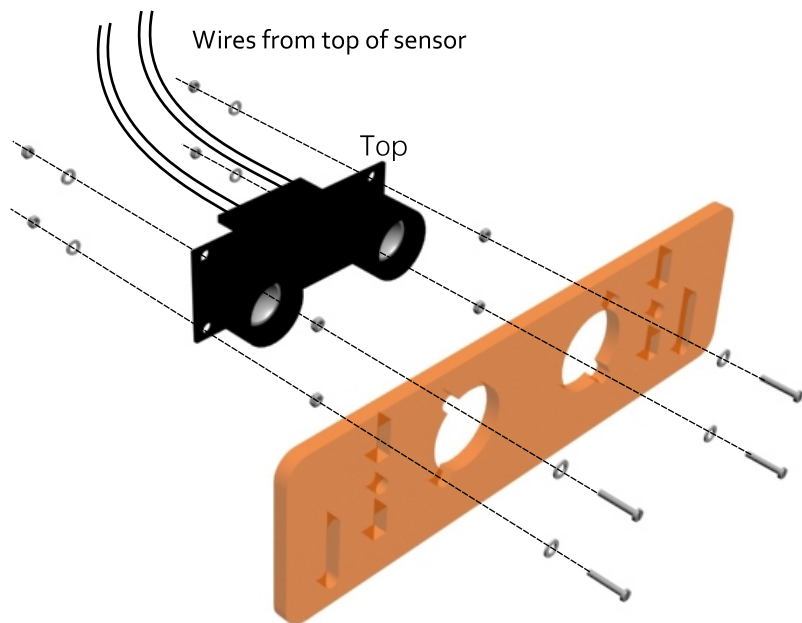
Step 2

Attach the left and right brackets using the 4 long (12mm) bolts, washers and nuts.



Align the bracket like this





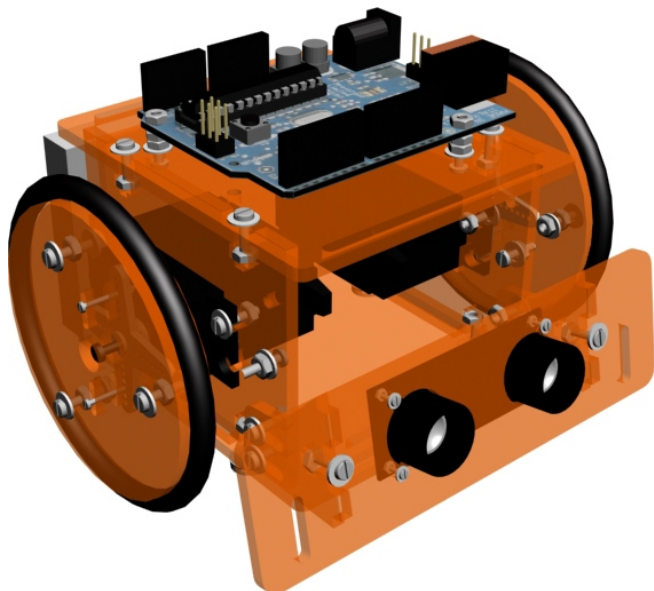
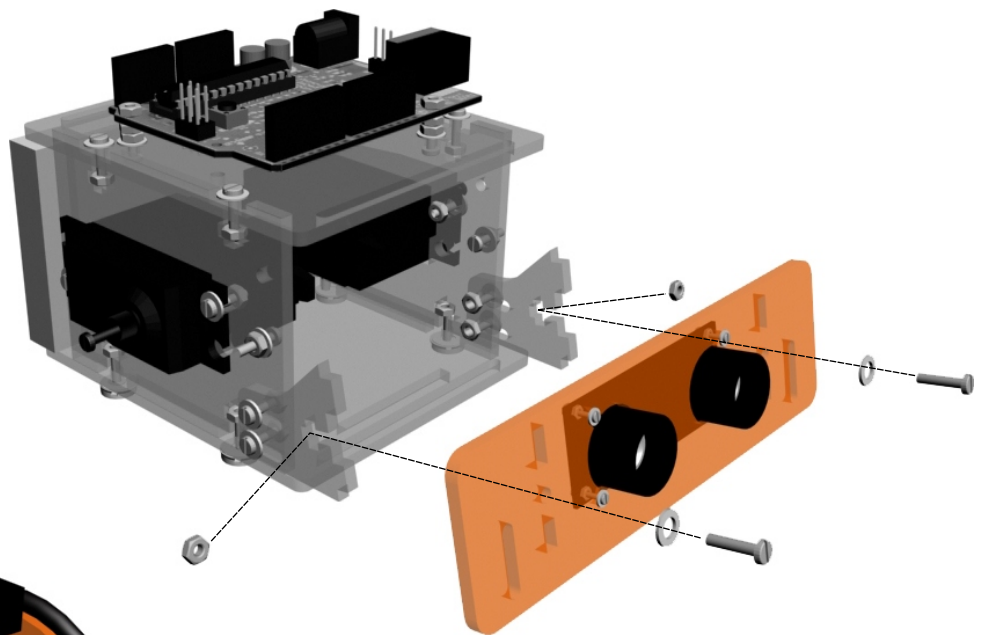
Step 3

Attach the ultrasonic sensor to the sensor bar using small nuts, washers and nuts. Don't over tighten any nuts, finger tight will do.

Notice that there is a spacer nut between the sensor bar and the sensor.

Step 4

Attach the sensor bar to the chassis mountings using 2 short bolts (10mm), washers and nuts.



Step 5

The sensor bar is now complete, re attach the bot's wheels.

Now check out the code & projects section at www.botbuilder.co.uk

If you print this manual



Please recycle it when finished.

Bot  Builder.co.uk

